

Fipsy

VERSION 1712

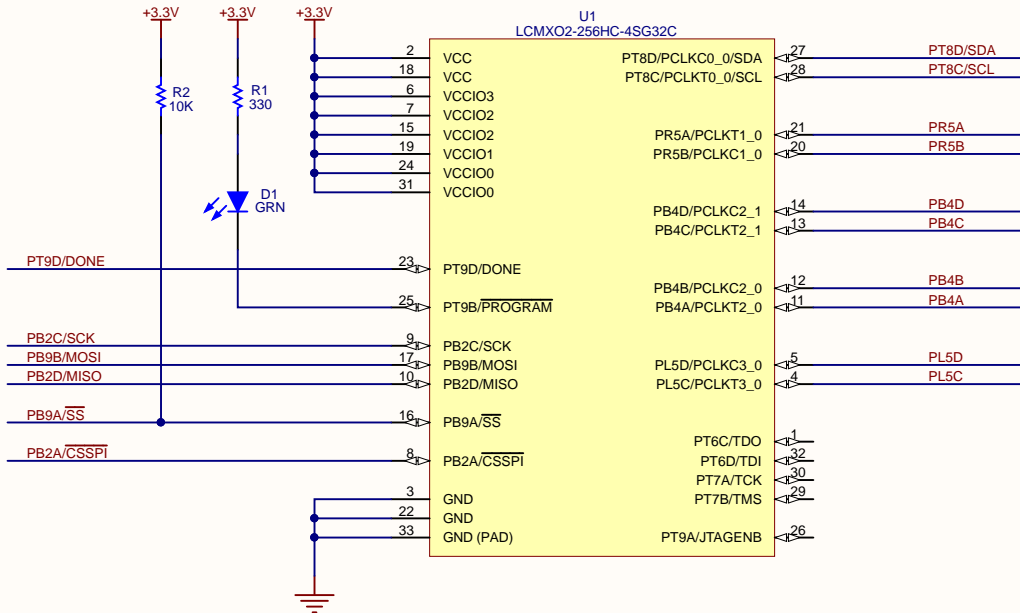
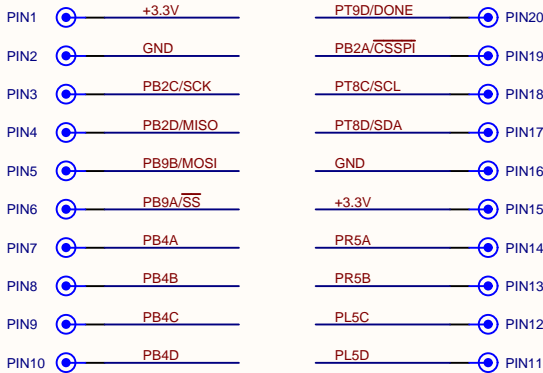
MODULAR BREADBOARD COMPATIBLE DIP FPGA BOARD

A COLLABORATIVE PROJECT SUPPORTED BY THE MOCOMAKERS COMMUNITY

WWW.MOCOMAKERS.COM

DESIGNED AND MANUFACTURED AT HOME IN
GAITHERSBURG, MD USA

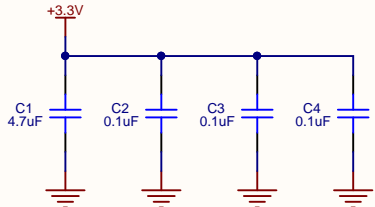
DUAL IN-LINE PACKAGE (DIP) PIN LAYOUT



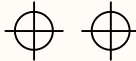
THANKS TO OUR LOCAL COMMERCIAL SPONSORS

FIPSY IS AN OPEN HARDWARE DESIGN
 MANUFACTURED BY ALLIED COMPONENT WORKS, LLC
WWW.ALLIEDCOMPONENTWORKS.COM
 IN COOPERATION WITH CUSTOM ELECTRONICS COMPANY, INC.
WWW.CUSTOMELECTRONICSCO.COM

GENERAL DECOUPLING



BOARD FEATURES FOR ASSEMBLY



| | | | |
|------------------------------------|--------------|--|----------------------------|
| TITLE: FIPSY - DIP FPGA BOARD | | Allied Component Works 18908 Premiere Court Gaithersburg, MD 20879 (301) 366-0142 | ALLIED COMPONENT WORKS |
| DRAWING: ACW17003_FIPSY_X2 | REVISION: X2 | | |
| MODIFIED: 12/9/2017 | SHEET 4 OF 4 | | |
| CAD FILE: ACW17003_FIPSY_X2.SchDoc | | | |